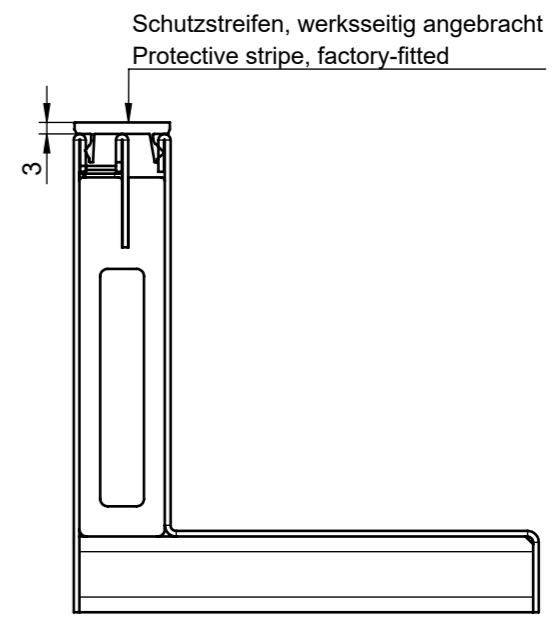
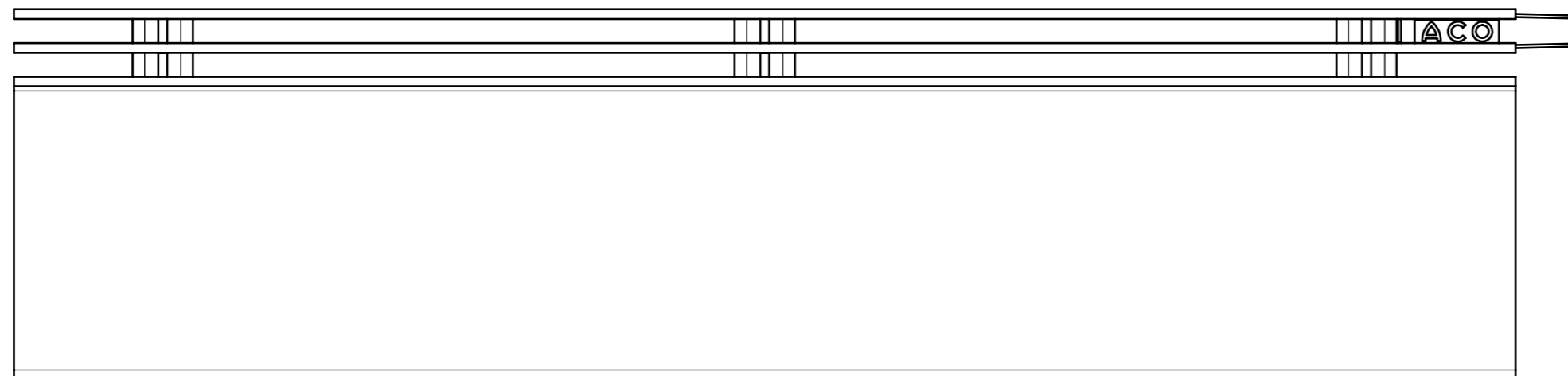
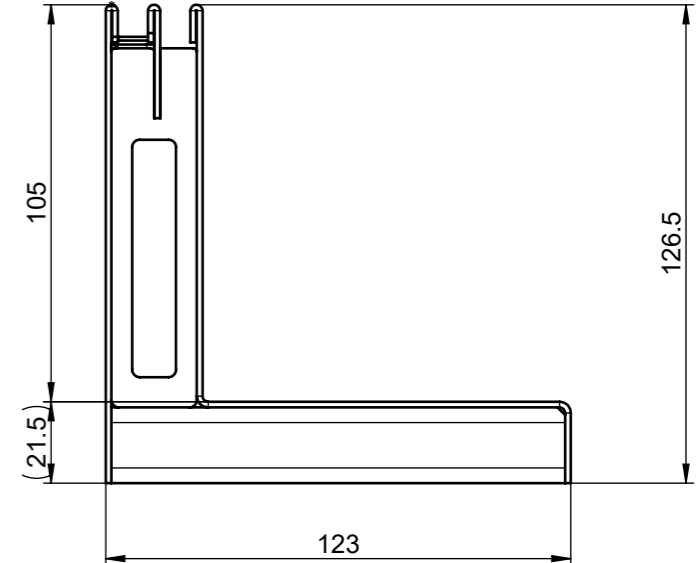
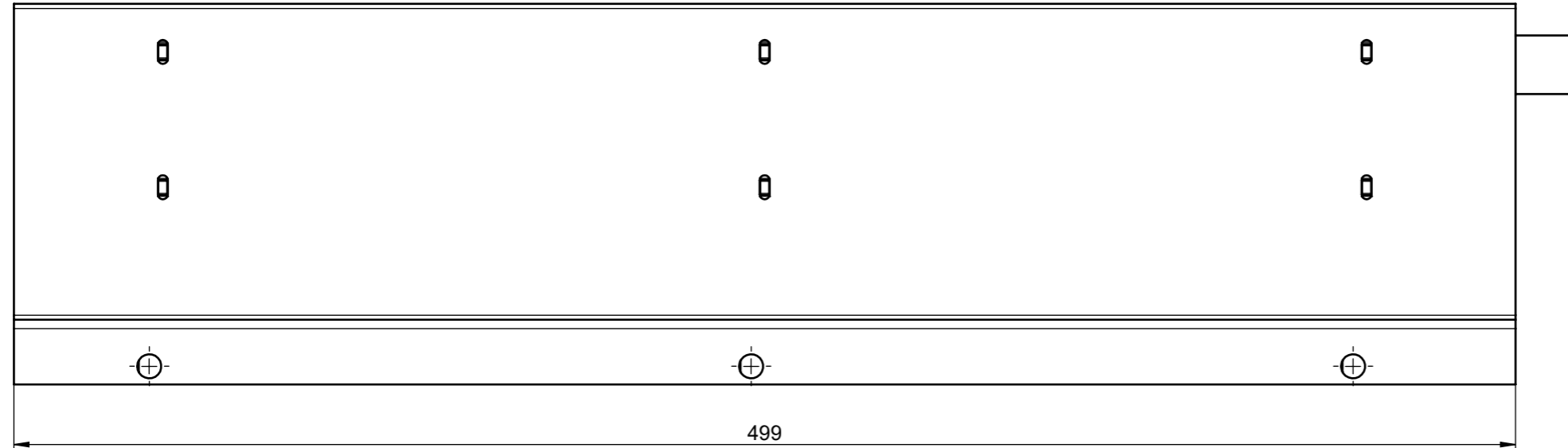
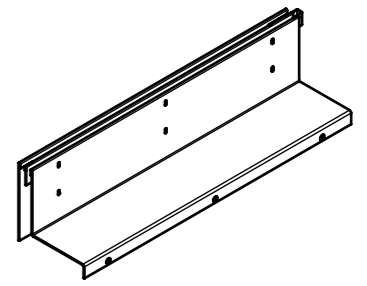


SCALE 1 : 10



Schutzstreifen, werksseitig angebracht
Protective stripe, factory-fitted

local article number: 445939

	ACO Tiefbau Vertrieb GmbH 24755 Rendsburg, Postfach 320 Tel. 04331 / 354-500 Fax. 04331 / 354-358 www.aco.com	drawing-no.: 1066670-M	index: 003	documenttype: marketing drw.
	created by: rbhatia	reviewed by: rbhatia	projection: ISO-E 	scale: 1:2
title: ACO SlotTop SlotTop V100 H105 C250 double slot 8mm L0.5m, Stainless Steel Schlitzrahmen V100 H105 C250 Doppelschlit 8mm L0.5m, Edelstahl			release date: 15-Nov-2018 16:09	sheet: 1/1
The reproduction, distribution and utilization of this document as well as the communication of its contents to others without express authorization is prohibited. Offenders will be held liable for the payment of damages. All rights reserved in the event of the grant of a patent, utility model or design. Observe copyright by ISO 16016				