

ACO product catalogue

ACO concrete separators



**ACO. The future
of drainage.**



Separators & Treatment 2015



collect:
Collect and
remove



clean:
Pre-clean and
process



hold:
Protect and
attenuate



release:
Pump, discharge and
reuse

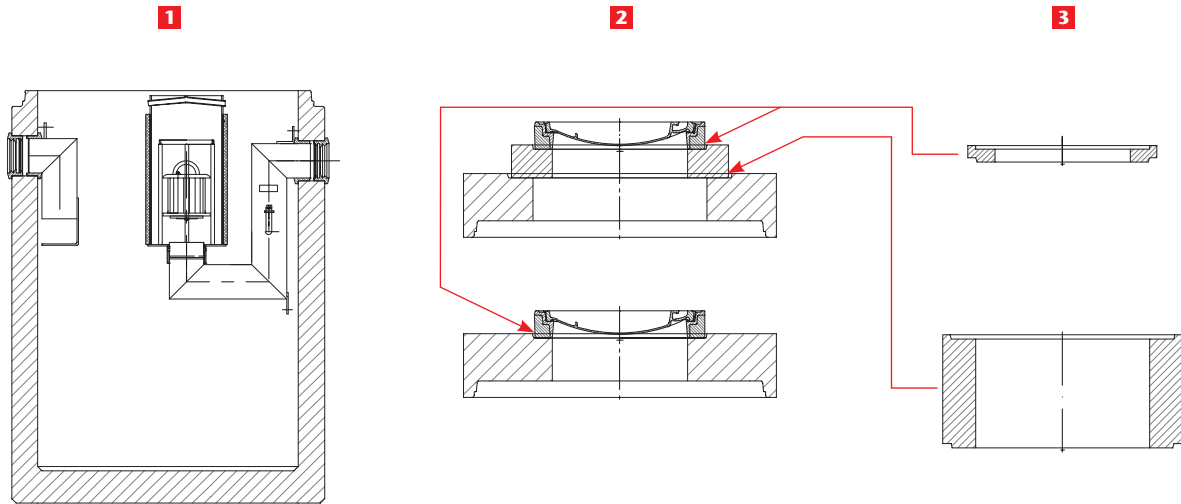


ACO system chain
in action

CONTENT

Introduction	4
<hr/>	
Oleopator-C	6
<hr/>	
Sludge traps-C	12
<hr/>	
Oleopator-Bypass-C	14
<hr/>	
Lipumax-C	17
<hr/>	
Accessories	20

Assembly concept



Bottom part

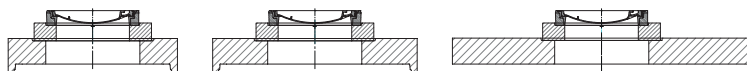
Top section 1 or 2

Schaft or adjustable rings

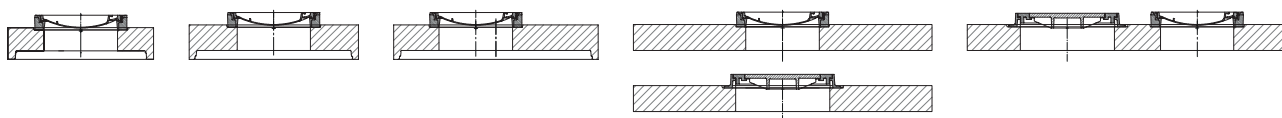
Adjustable rings DN600, DN800



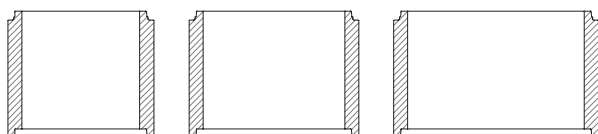
Top section 2



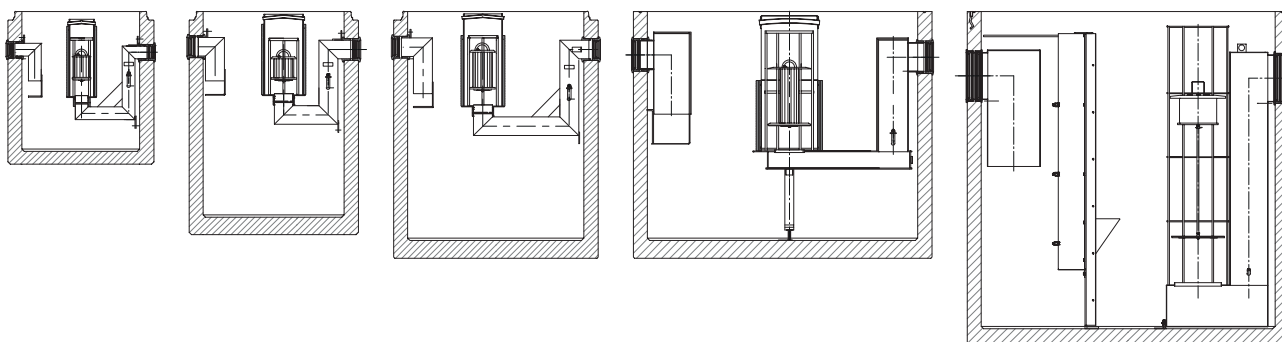
Top section 1



Shaft rings DN1000, DN1200, DN1500



Bottom parts



DN 1000

DN 1200

DN 1500

DN 2300

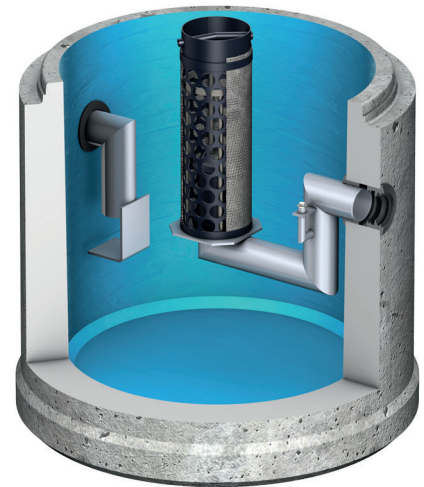
DN 2300, DN 2500

Oleopator-C-FST NS 3 – 50 with Sludge trap

Product information

- ACO Product benefits**
- All nominal sizes tested by regional test institute (LGA)
 - Coating complies with EN 858
 - DOP
 - Optimum accessibility guaranteed for maintenance, cleaning and disposal thanks to removable cage component
 - Coalescence insert can be removed for cleaning without having to empty the separator
 - Integrated connection for sampling device
 - Including rubber seal ring for connection with cover plate

- Tank made of reinforced concrete
- With coalescence insert (filter)
- Inner parts made of PEHD

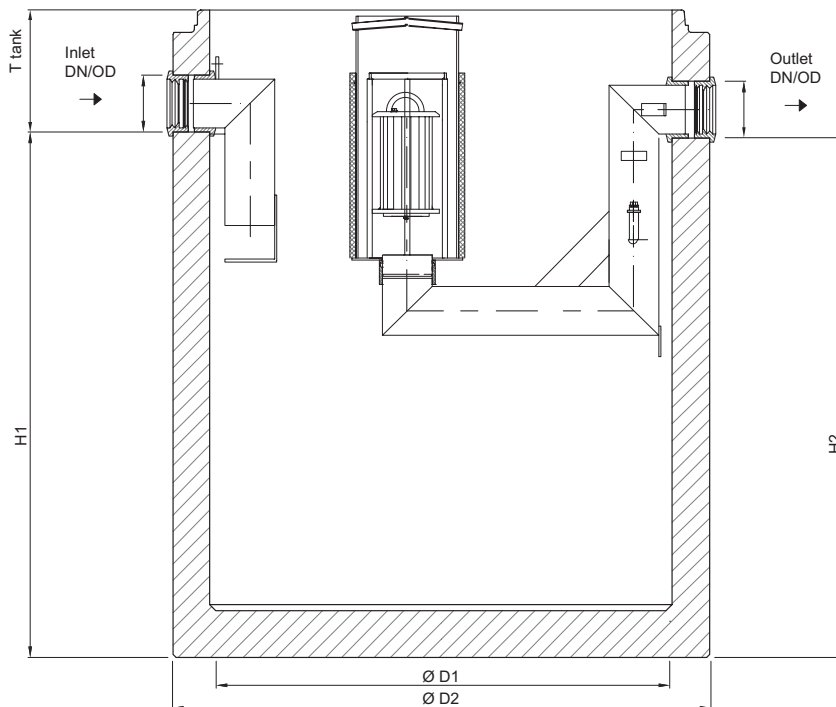


Order information

Nominal size	Inlet/outlet DN/OD [mm]	Contents			Weight Tank [kg]	Item number	
		Sludge trap [l]	Oil tank [l]	Overall [l]		Coated	Uncoated
NS 3	100	300	163	620	1596	626368	626328
NS 3	100	600	163	850	1807	626369	626329
NS 6	150	600	160	970	2078	626370	626330
NS 6	150	1200	232	1530	2485	626371	626331
NS 10	150	1000	273	1530	2485	626372	626332
NS 10	150	2000	576	2740	3456	626373	626333
NS 15	200	1500	464	2530	3464	626374	626334
NS 20	200	2000	594	3200	3933	626375	626335
NS 30	250	3000	1662	5990	5630	626376	626336
NS 40	300	4000	1485	7640	6707	626377	626337
NS 50	300	5000	1485	8660	6982	626378	626338

Note: $T_{\text{tank}} + T_{\text{top section}} = T_{\text{total}}$
 Dimension T total can be adjusted on-site using shaft and/or adjustable concrete rings

Dimensions



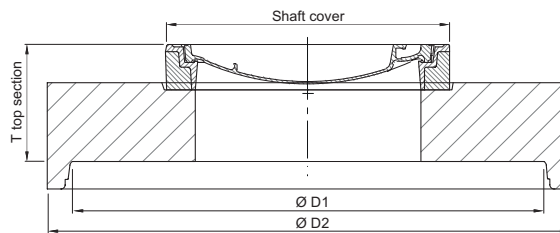
Nominal size	Item number		Dimension					Top section 1	Top section 2	T _{max} [mm]
	Coated	Uncoated	H ₁ [mm]	H ₂ [mm]	D ₁ [mm]	D ₂ [mm]	T _{tank} [mm]	Item number	Item number	
NS 3	626368	626328	920	900	1000	1240	380	626850	-	3380
NS 3	626369	626329	1210	1190	1000	1240	290	626850	-	3290
NS 6	626370	626330	1370	1350	1000	1240	380	626850	-	3380
NS 6	626371	626331	1520	1500	1200	1440	380	626851	626852	3380
NS 10	626372	626332	1520	1500	1200	1440	380	626851	626852	3380
NS 10	626373	626333	1720	1700	1500	1740	380	626853	626854	3380
NS 15	626374	626334	1600	1580	1500	1740	500	626853	626854	3500
NS 20	626375	626335	1980	1960	1500	1740	420	626853	626854	3420
NS 30	626376	626336	1610	1590	2300	2540	490	626855	626856	3490
NS 40	626377	626337	2010	1990	2300	2540	490	626858	-	3490
NS 50	626378	626338	2160	2140	2300	2540	440	626858	-	3440

Top sections for Oleopator-C-FST

Top section 1



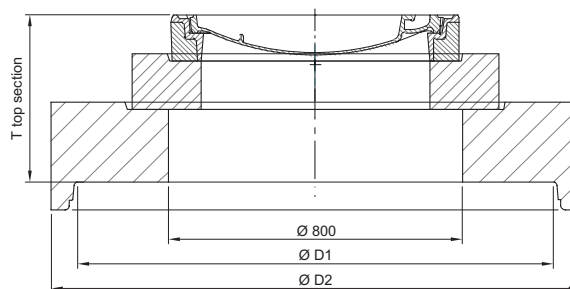
Order information



$T_{\text{top section}}$ [mm]	Dimension		Shaft covers	Weight [kg]	Item number
	D1 [mm]	D2 [mm]			
335	1000	1240	1 x Ø600	715	626850
335	1200	1440	1 x Ø600	955	626851
335	1500	1740	1 x Ø600	1115	626853
335	2300	2540	1 x Ø600	2635	626855
335	2300	2540	1 x Ø800	2713	626858

Top section 2

Order information



$T_{\text{top section}}$ [mm]	Dimension		Shaft covers	Weight [kg]	Item number
	D1 [mm]	D2 [mm]			
475	1200	1440	1 x Ø600	1125	626852
475	1500	1740	1 x Ø600	1285	626854
475	2300	2540	1 x Ø600	2805	626856

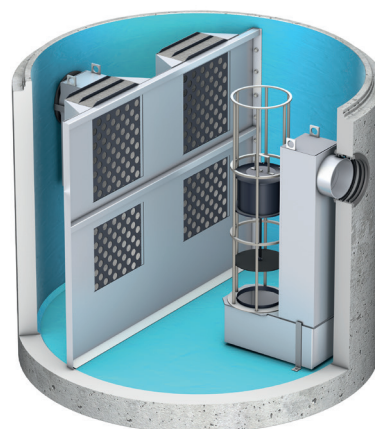
Oleopator-C-NST without Sludge trap

Product information

ACO Product benefits

- All nominal sizes tested by regional test institute (LGA)
- Coating complies with EN 858
- DOP
- Optimum accessibility guaranteed for maintenance, cleaning and disposal thanks to removable cage component
- Coalescence insert can be removed for cleaning without having to empty the separator
- Integrated connection for sampling device
- Including rubber seal ring for connection with cover plate

- Made of reinforced concrete
- With coalescence insert (filter)
- Inner parts made of PEHD

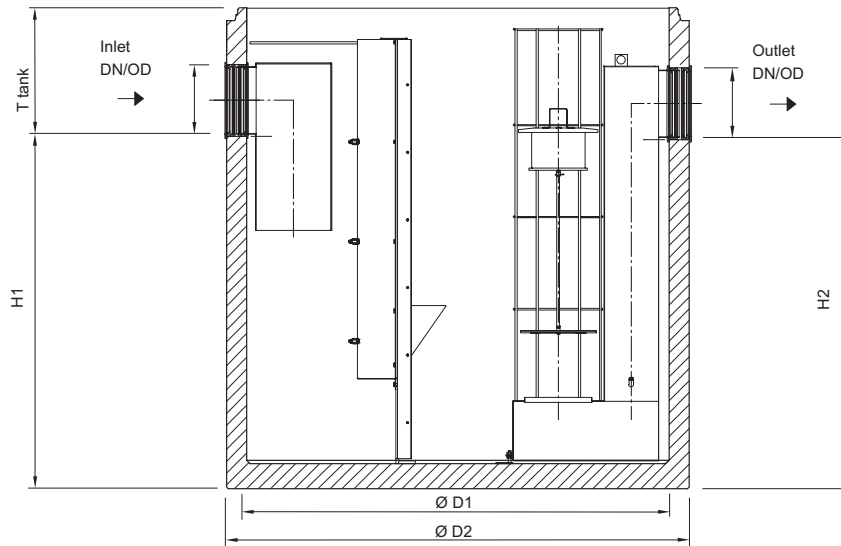


Order information

Nominal size	Inlet/outlet DN/OD [mm]	Sludge trap [l]	Contents		Weight Tank [kg]	Item number	
			Oil tank [l]	Overall [l]		Coated	Uncoated
NS 80	400	0	2447	6690	6722	626379	626339
NS 100	400	0	3200	9520	8945	626380	626340

Light oil separators with coalescence unit (concrete)
Class I, as per EN 858

Dimensions

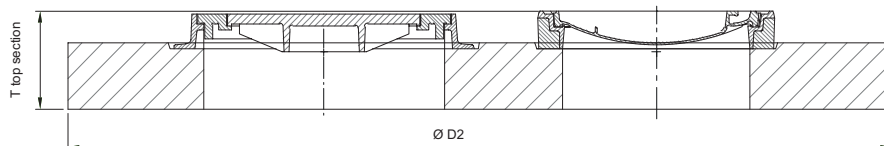


Nominal size	Item number		Dimension					Top section 1	Top section 2	T _{max}
	Coated	Uncoated	H ₁	H ₂	D ₁	D ₂	T _{tank}	Item number	Item number	
			[mm]	[mm]	[mm]	[mm]	[mm]			[mm]
NS 80	626379	626339	1800	1780	2300	2540	700	626860	-	3700
NS 100	626380	626340	2110	2090	2500	2740	740	626872	-	3740

Top sections for Oleopator-C-NST for load class D 400

Top section 1

Order information



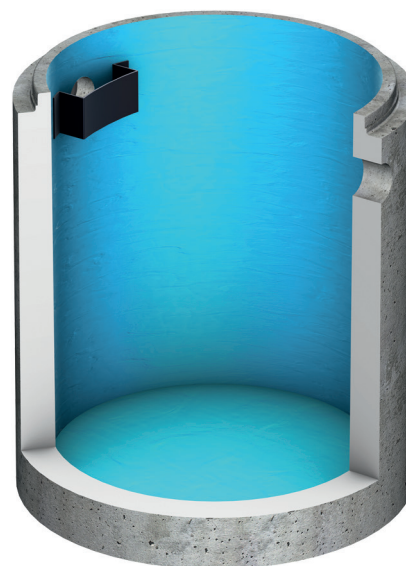
$T_{\text{top section}}$ [mm]	Dimension D2 [mm]	Manhole cover	Weight [kg]	Item number
335	2540	2x 800 + 1x 600	3121	626860
335	2740	2x 800 + 1x 600	3851	626872

Sludge traps type C 8000 – 10000

Product information

ACO Product benefits
<ul style="list-style-type: none"> ■ Compatible combination options with Oleopator without an integrated sludge trap ■ Fast and easy to install ■ Including rubber seal ring for connection with cover plate

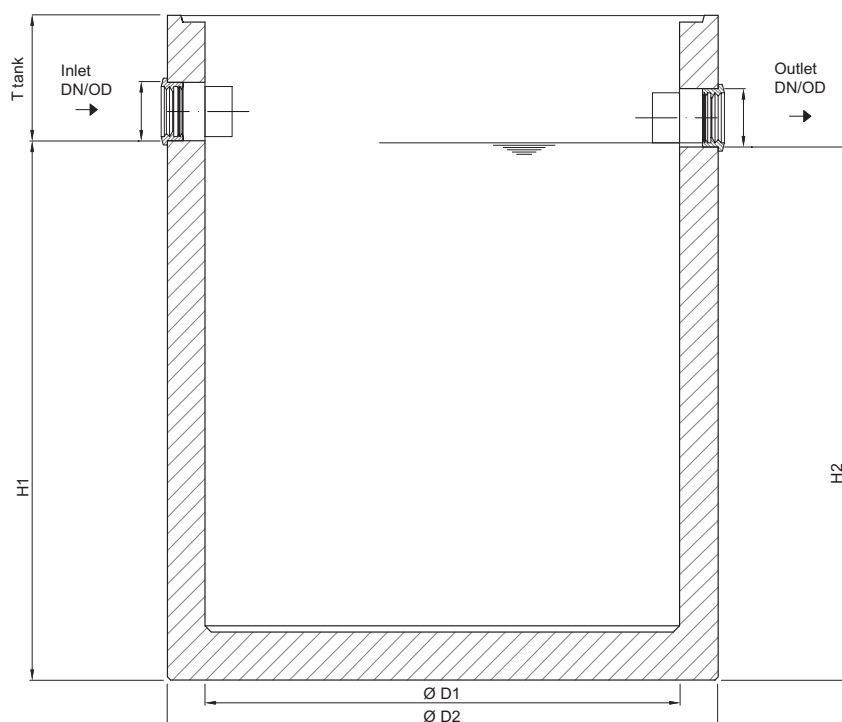
- Made of reinforced concrete
- One-piece construction
- With label "Separator System"



Order information

Type	Inlet/ outlet DN/OD [mm]	Sludge trap contents [l]	Suitable for example for nominal size	Weight [kg]	Item number	
					Coated	Uncoated
C 8000	400	7802	NS 80	6910	626847	626827
C 10000	400	9720	NS 100	8851	626848	626828

Dimensions



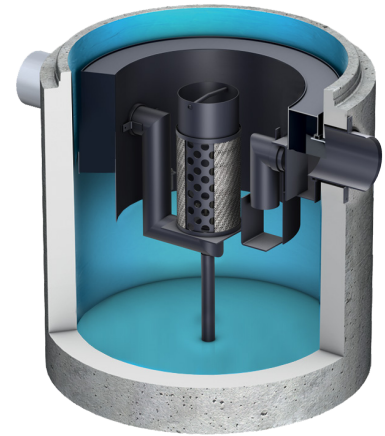
Type	Item number	Item number	Dimension					Top section 1	Top section 2	T _{max}
			H ₁ [mm]	H ₂ [mm]	D ₁ [mm]	D ₂ [mm]	T _{tank} [mm]			
C 8000	626847	626827	2040	2020	2300	2540	560	626855	626856	3560
C 10000	626848	626828	2150	2130	2500	2740	700	626901	626902	3700

Oleopator-Bypass-C-FST NS 6 - NS 30 (with Sludge trap)

Product information

ACO Product benefits	
■	Option for drainage of large areas in combination with traditional separator technology
■	All functions integrated in a single tank
■	Takes up little space
■	Integrated connection for sampling device
■	Including rubber seal ring for connection with cover plate

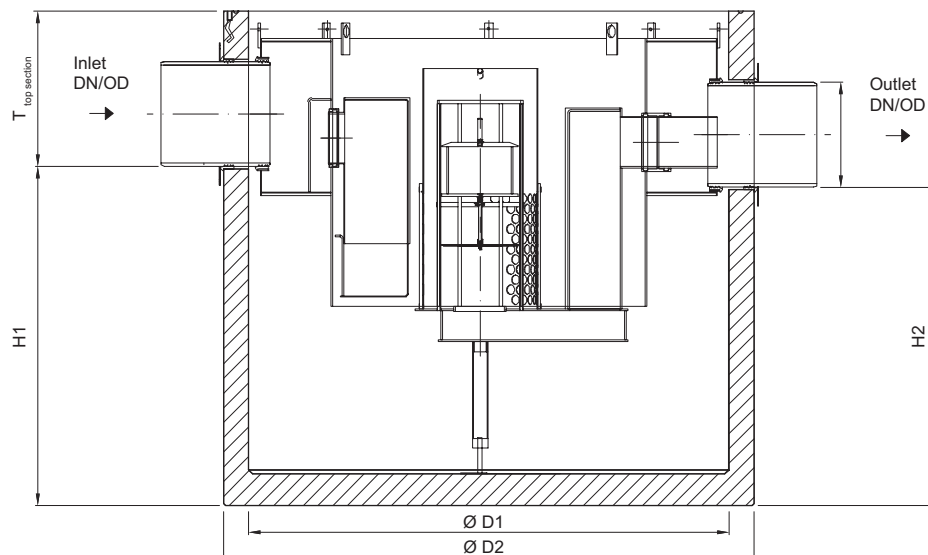
- Tank made of reinforced concrete
- With coalescence insert (filter)
- Pipe connection using suitable push sockets or pipe connectors (no welded sockets)
- With bypass channel and integrated bypass control
- One-piece construction
- Application examples:
 - Parking surfaces
 - Industrial surfaces
- Inner parts made of PEHD



Order information

Nominal size	Inlet/ outlet DN/OD [mm]	Max. throughput [l/s]	Contents			Weight [kg]	Item number	
			Sludge trap [l]	Oil tank [l]	Overall [l]		Coated	Uncoated
NS 6	300	60	1200	185	1950	3001	626470	626420
NS 8	300	80	1600	185	2420	3494	626471	626421
NS 10	400	100	1000	185	1830	3016	626476	626426
NS 10	400	100	2000	185	2890	3965	626472	626422
NS 15	400	150	3000	464	4830	5406	626473	626423
NS 20	400	200	4000	594	6570	6731	626474	626424
NS 30	500	300	3000	634	6120	6761	626475	626425

Dimensions



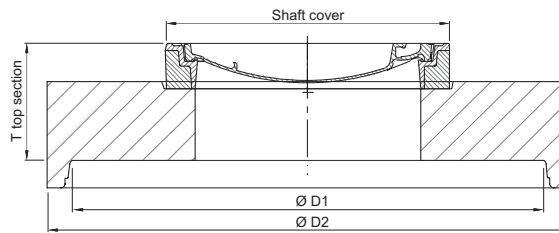
Nominal size	Item number		Dimension					Top section 1	Top section 2	T _{max} [mm]
	Coated	Uncoated	H ₁	H ₂	D ₁	D ₂	T _{tank}	Item number	Item number	
			[mm]	[mm]	[mm]	[mm]	[mm]			
NS 6	626470	626420	1275	1175	1740	1500	525	626857	626854	3525
NS 8	626471	626421	1540	1440	1740	1500	560	626857	626854	3560
NS 10	626476	626426	1210	1110	1500	1740	590	626857	626854	3590
NS 10	626472	626422	1810	1710	1500	1740	590	626857	626854	3590
NS 15	626473	626423	1332	1232	2540	2300	668	626855	626856	3668
NS 20	626474	626424	1750	1650	2540	2300	750	626855	626856	3750
NS 30	626475	626425	1640	1540	2540	2300	860	626858	-	3860

Top sections for Oleopator-Bypass C for load class D 400

Top section 1



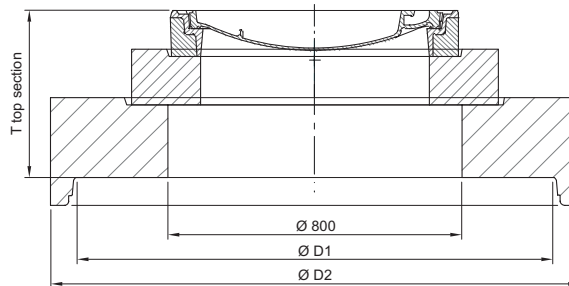
Order information



$T_{\text{top section}}$ [mm]	Dimension D1 [mm]	D2 [mm]	Shaft covers	Weight [kg]	Item number
335	1500	1740	1 x Ø600	1115	626857
335	2300	2540	1 x Ø600	2635	626855
335	2300	2540	1 x Ø800	2713	626858

Top section 2

Order information



$T_{\text{top section}}$ [mm]	Dimension D1 [mm]	D2 [mm]	Shaft covers	Weight [kg]	Item number
475	1500	1740	1 x Ø600	1285	626854
475	2300	2540	1 x Ø600	2805	626856

Lipumax-C-FST NS 1 - NS 25 (coated version only)

Product information

ACO Product benefits

- Attractive purchase price and running costs
- Simple to install, requires less space
- Top section with odour proof sealed cover
- Integrated connection for sampling device
- Including rubber seal ring for connection with cover plate

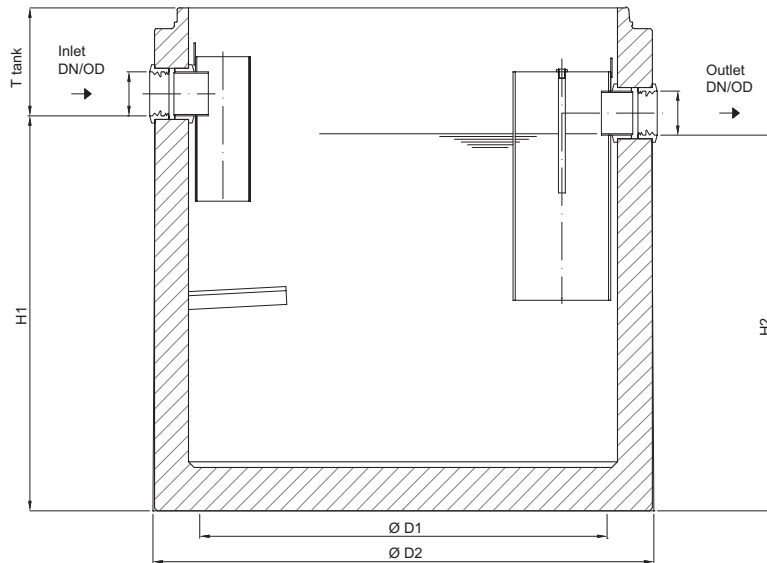
- Tank made of reinforced concrete
- With integrated sludge trap
- One-piece construction
- With integrated connection for sampling
- With inner coating which complies with standard
- Forsheda
- Inner parts made of PEHD



Order information

Nominal size	Inlet/ outlet DN/OD [mm]	Contents			Weight Tank [kg]	Item number Coated
		Sludge trap [l]	Grease store [l]	Overall [l]		
NS 1-2	100	200	190	620	1593	626518
NS 2	100	400	190	927	2068	626526
NS 4	150	400	190	927	2076	626519
NS 7	150	700	290	1018	2488	626520
NS 10	150	1000	400	2174	2975	626521
NS 15-20	200	1500	1140	4257	4900	626522
NS 15	200	3000	1140	5947	5990	626523
NS 25	250	2500	1220	5609	5593	626524
NS 25	250	5000	1220	7728	6663	626525

Dimensions



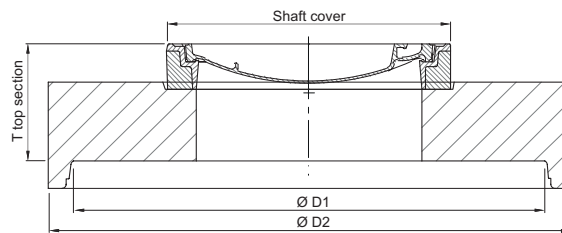
Nominal size	Item number Coated	Dimension					T _{tank} [mm]	Top section 1	Top section 2	T _{max} [mm]
		H ₁ [mm]	H ₂ [mm]	D ₁ [mm]	D ₂ [mm]	Item number		Item number		
NS 1-2	626518	970	900	1240	1000	330	626862	-	3330	
NS 2	626526	1360	1290	1000	1240	390	626862	-	3390	
NS 4	626519	1360	1290	1240	1000	390	626862	-	3390	
NS 7	626520	1510	1050	1440	1200	390	626863	626864	3390	
NS 10	626521	1450	1380	1740	1500	350	626865	626866	3350	
NS 15-20	626522	1575	1505	2240	2000	425	626867	626868	3425	
NS 15	626523	2115	2045	2240	2000	385	626867	626868	3385	
NS 25	626524	1570	1500	2540	2300	530	626869	626870	3530	
NS 25	626525	2080	2010	2540	2300	420	626869	626870	3420	

Top sections for Lipumax for load class D 400

Top section 1



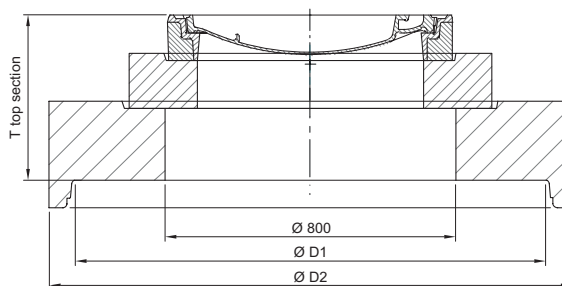
Order information



$T_{\text{top section}}$ [mm]	Dimension		Manhole cover	Weight [kg]	Item number
	D1 [mm]	D2 [mm]			
335	1000	1240	1 x Ø600	715	626862
335	1200	1440	1 x Ø600	955	626863
335	1500	1740	1 x Ø600	1115	626865
335	2000	2240	1 x Ø600	1985	626867
335	2300	2540	1 x Ø600	2635	626869

Top section 2

Order information



$T_{\text{top section}}$ [mm]	Dimension		Manhole cover	Weight [kg]	Item number
	D1 [mm]	D2 [mm]			
475	1200	1440	1 x Ø600	1125	626864
475	1500	1740	1 x Ø600	1285	626866
475	2000	2240	1 x Ø600	2155	626868
475	2300	2540	1 x Ø600	2805	626870

Concrete shaft components

Product information

- To increase and equalise shaft height



Adjustable rings as defined by DIN 4034 Part 1.

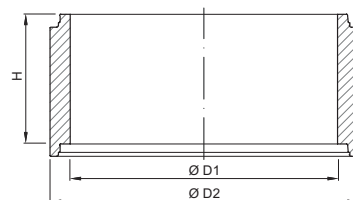
Order information



Type	Dimension			Total height including mortar joints [mm]	Weight [kg]	Item number
	H [mm]	D ₁ [mm]	D ₂ [mm]			
625 x 60	60	625	865	70	39	742011
625 x 80	80	625	865	90	51	742012
625 x 100	100	625	865	110	64	742013
625 x 120	120	625	865	130	80	742014
625 x 150	150	625	865	160	96	742070
625 x 200	200	625	865	210	128	742071
625 x 400	400	625	865	410	256	742072
625 x 500	500	625	865	510	320	742073
800 x 100	100	800	1040	110	98	742006
800 x 150	150	800	1040	160	147	742007
800 x 200	200	800	1040	210	196	742008
800 x 400	400	800	1040	410	392	742009
800 x 500	500	800	1040	510	490	742074

Shaft rings as per/similar to DIN 4034 Part 1 (without metal step)

Order information



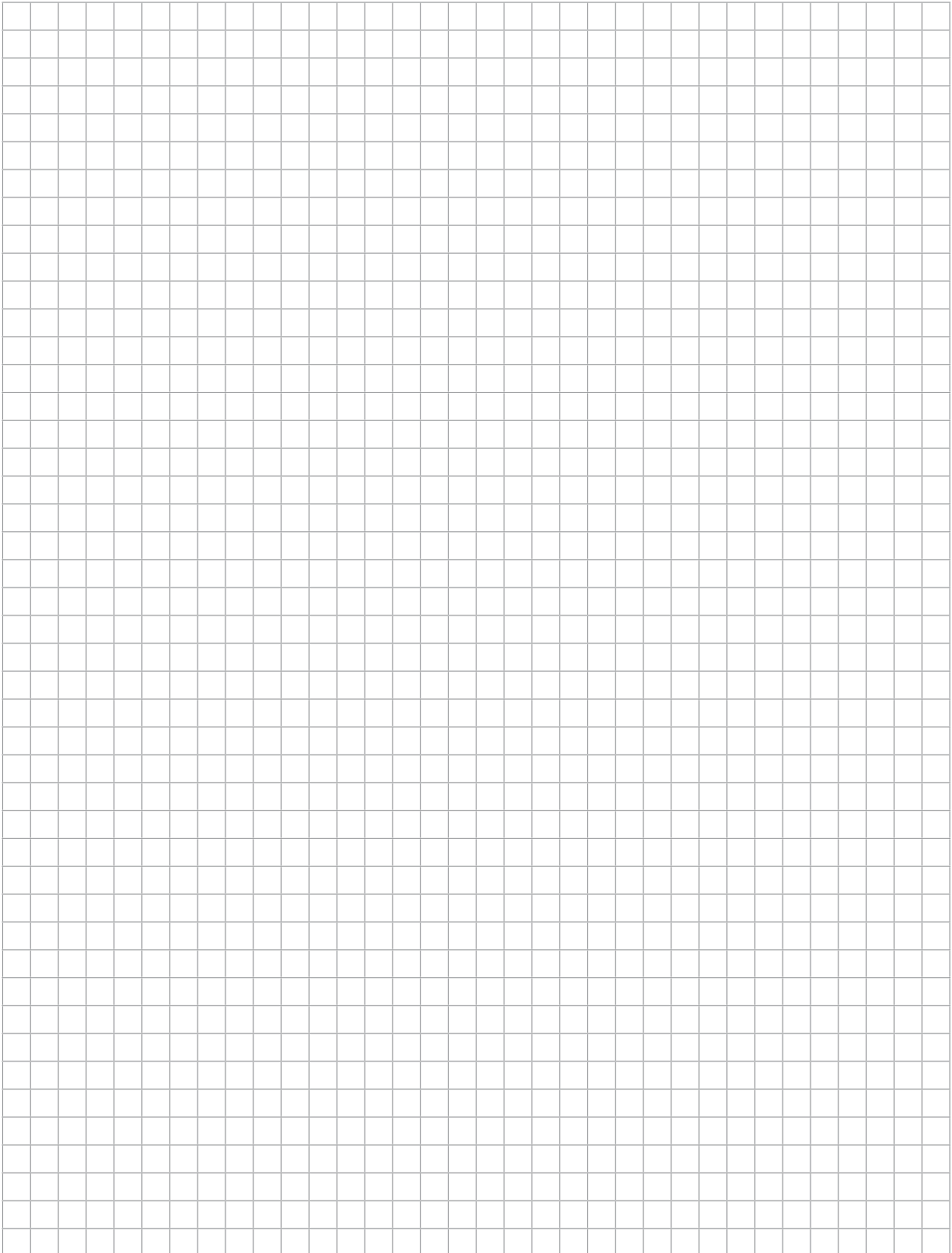
Type	Dimension			Total height including mortar joints [mm]	Weight [kg]	Item number
	H [mm]	D ₁ [mm]	D ₂ [mm]			
1000 x 1000	1000	1000	1240	1010	1013	742015
1000 x 500	500	1000	1240	510	506	742016
1000 x 250	250	1000	1240	260	254	742017
1200 x 1000	1000	1200	1440	1010	1287	626700
1500 x 1000	1000	1500	1740	1010	1400	626701

Rubber seal rings for concrete shaft rings

Order information

Type	Diameter [mm]	Weight [kg]	Item number
Seal ring DN 1000	Ø1000	1,5	626702
Seal ring DN 1200	Ø1200	2	626703
Seal ring DN 1500	Ø1500	3	626704

Notes



ACO Industries Tábor s.r.o.

Prumyslova 1158
391 01 Sezimovo Usti
Czech Republic

www.aco.com

ACO. The future of drainage.

All reasonable care has been taken in compiling the information in this document. All recommendations and suggestions on the use of ACO products are made without guarantee since the conditions of use are beyond the control of the Company. It is the customer's responsibility to ensure that each product is fit for its intended purpose and that the actual conditions of use are suitable. This brochure and any advice is provided free of charge and accordingly on terms that no liability (including liability for negligence) will attach the Company or its servants or agents arising out of or in connection with or in relation to this brochure or any such advice. Any goods supplied by the Company will be supplied solely upon its standard conditions of sale, copies of which are available on request. The Company's policy of continuous product development and improvement renders specifications liable to modification. Information provided in this brochure is therefore subject to change without prior notification.